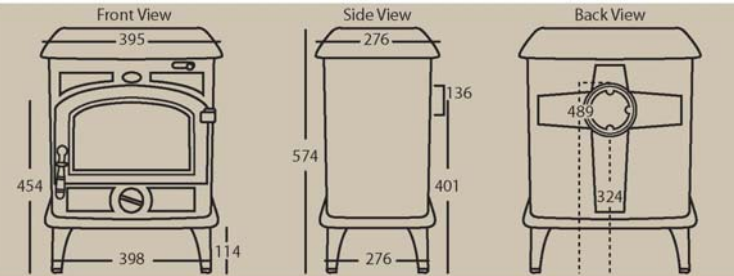


## San Remo Stove Data

Output data and dimensions are shown below. All measurements in mm.

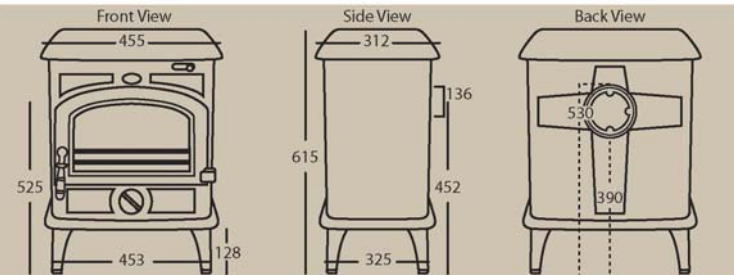
### San Remo 4 KW

Weight: 79Kg  
Non Boiler Stove  
Output: 4kW / 14,000 BTU



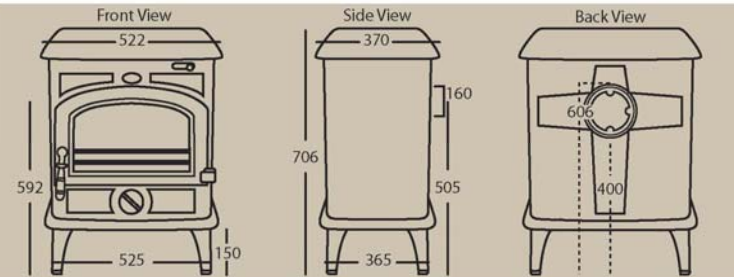
### San Remo 6 KW

Weight: 105Kg  
Non Boiler Stove  
Output: 6kW / 21,000 BTU



### San Remo 8 KW

Weight: 138Kg  
Non Boiler Stove  
Output: 8kW / 25,000 BTU



San Remo 6

All stoves are CE approved to EN13240 when used as a woodburner.

# San Remo Multi-Fuel Insert Stove



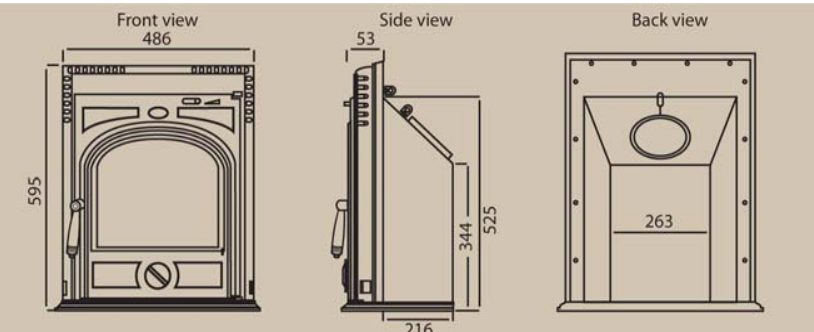
### Features:

- Secondary burn technology for increased efficiency
- Inner cast iron combustion chamber
- Primary and secondary air regulators
- Full cast iron construction
- Airwash technology
- Large ceramic glass door
- Ash pan with tool

### San Remo Insert Stove 4 KW

Traditional & Contemporary

Fuel: Solid Fuel or Wood (wood moisture content should be below 20% for optimum burning)  
Weight: 60Kg  
Non Boiler Stove  
Output: 4kW / 14,000 BTU  
Finish: Matt Black



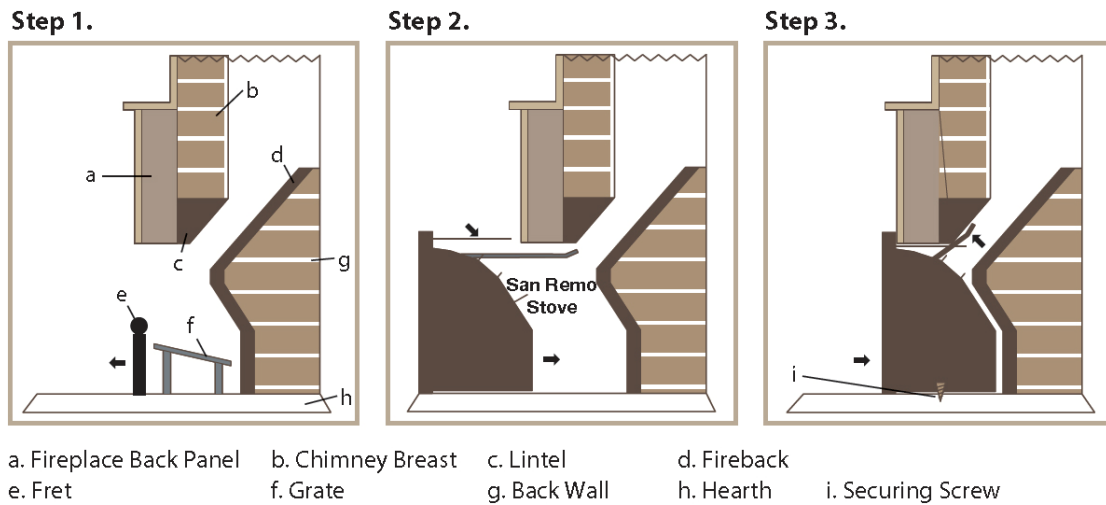
# San Remo Insert Stoves

## Easy Installation using our Unique Patented Fixing Mechanism

San Remo Insert Stoves can be installed into a standard solid fuel fireplace opening. Simply remove the fret and grate; slide the appliance into place and tighten the locking system to seal the stove to the fascia of the fireplace back panel. Removing the fireclay fireback is not necessary. This stove must not be installed into a chimney that serves any other heating appliance. Remember, remove the San Remo Insert Stove and clean your chimney every year.

## Protect the Environment with Efficient Fuel Consumption

Depending on the chimney, open fires can be as low as 20% efficient; the majority of the heat produced goes straight up the chimney and out of the house. Stoves should deliver a minimum 65% efficiency, while some stoves can deliver up to 80% efficiency. This means that a quality stove will produce more heat, from less fuel, for longer, than an open fire. Naturally, this means that burning a stove is kinder to the environment, burning less fuel and delivering fewer products of combustion into the atmosphere.



## Heat Loss

When the fire is unlit, the San Remo Insert Stove will prevent any room heat escaping up the chimney.

# San Remo Contemporary Insert Stove



San Remo Contemporary Insert Stove

### Features:

- Secondary burn technology for increased efficiency
- Inner cast iron combustion chamber
- Primary and secondary air regulators
- Airwash technology
- Large ceramic glass door
- Ash pan with tool

San Remo Stoves are designed and expertly constructed by our master craftsmen, these stoves are made to withstand extremes of heat.

Using superb high temperature glass combined with our well researched San Remo combustion technology, this range of stoves delivers consistently clean glass for unrestricted viewing of the fire through the glass window of the large door. San Remo stoves offer a multi fuel grate as standard.



### Features:

- Riddling system in all dry models
- Secondary burn technology for increased efficiency
- Inner cast iron combustion chamber
- Primary and secondary air regulators
- Full cast iron construction
- Airwash technology
- Large ceramic glass door
- Top or rear outlet flue
- Adjustable leg height
- Ash pan with tool